

**Expression of Interest**

**For**

**Design Competition for Façade Design of Main Gate of Banabitan Park, Salt Lake,  
Kolkata**



**EOI No: 674/EOI/KFCD/Advt./2021-22**

Date: 09.07.2021

**Issued by:**

**West Bengal Forest Development Corporation Limited (Wbfdcl)**

**Kolkata Forest Corporation Division, 'Aranya Bikash',**

**KB-19, Sector-III, Salt Lake City, Kolkata-700106**

**Web site: <https://www.wbfdc.com>**

**E-mail: [kfcd@wbfdc.com](mailto:kfcd@wbfdc.com)**

## **DISCLAIMER**

1. The information contained in this Expression of Interest document (the “EOI) or subsequently provided to interested parties (Applicants), whether verbally or in documentary or in any other form by or on behalf of West Bengal Forest Development Corporation Limited, (hereinafter referred to as “**Wbfdcl**”) or any of its employees or advisors, is provided to the Applicants on the terms and conditions set out in this EOI and such other terms and conditions subject to which such information is provided.
2. Wbfdcl has prepared this document to give interested parties background information on the Project. While Wbfdcl have taken due care in the preparation of the information contained herein and believe it to be accurate, neither Wbfdcl nor any of its authorities or agencies are not responsible for the completeness or accuracy of the information contained in this document.
3. The information is not intended to be exhaustive. Interested parties are required to make their own inquiries and respondents will be required to confirm in writing that they have done so and they do not rely on the information in submitting a EOI. The information is provided on the basis that it is not binding on Wbfdcl, any of its authorities or agencies or any of their respective officers, employees, agents or advisors. Wbfdcl reserves the right not to proceed with the Project or to change the configuration of the Project, to alter the timetable reflected in this document or to change the process or procedure to be applied. It also reserves the right to decline to discuss the Project further with any party expressing interest.
4. No reimbursement of cost of any type will be paid to persons or entities expressing interest.

**Sd/-**

**Divisional Manager  
Kolkata Forest Corporation Division**

## Table of Content

1.	BACKGROUND .....	1
2.	BANABITAN PARK .....	1
3.	SCOPE OF WORK: DESIGN COMPETITION.....	1
4.	WHO CAN APPLY .....	2
5.	DOCUMENTS TO BE SUBMITTED BY APPLICANT .....	3
6.	EOI SUBMISSION.....	3
7.	PRESENTATION ON CONCEPT DESIGN AND SELECTION.....	3
8.	CLARIFICATIONS .....	4
	ANNEXURE – I FORMAT OF UNDERTAKING .....	5
	ANNEXURE II – APPLICANT’S PROFILE.....	5
	ANNEXURE III– APPLICANT’S EXPERIENCE (TECHNICAL CAPACITY OF THE APPLICANT).....	7
	ANNEXURE IV– APPLICANT’S TURNOVER .....	8
	APPENDIX 1 .....	9
	ENTRY GATE OF BANABITAN PARK .....	9

## Expression of Interest

### 1. Background

- 1.1 The West Bengal Forest Development Corporation Limited (WBFDCCL) (hereinafter also referred to as the “Corporation”) came into existence in 1974 as per Companies Act 1956, on the recommendation of National Commission of Agriculture. The Broad Objectives of setting up WBFDCCL was to offer timber, non-timber forest produce and value-added forest products at reasonable prices for the public in general, to develop awareness for conservation of nature and wild life through responsible eco-tourism.
- 1.2 The Corporation has decided to identify suitable Firm through Design Competition for Façade Design of Main Gate of Banabitan Park, Salt Lake, Kolkata (The Project). The details of the project site is provided at Appendix 1.
- 1.3 Accordingly, the Corporation is taking out this Expression of Interest to identify suitable Architectural Firms through design competition for the said work

### 2. Banabitan Park

- 2.1 Banabitan/ Central Park situated in Salt Lake, Kolkata is a public urban park. Banabitan is a **‘Jungle’ in the Heart of the City**. The Park was created by Forest Department in 1991. The Park is spread over 70 acres including a lake in 15 acres, children park of 12 acres and parking area of 4 acres. The Park has several tree species like Mehogani, Sisoo, Shal, Chikrashi, Shegun, several bamboo species, climbers and shrubs. The fauna includes more than 125 species of birds, around 80 species of butterflies, more than 10 species of Mammals along with several reptilian and amphibian species.

Having all these natural attractions, the park is being used by several people with various perspective. During the morning hours, thousands of morning walkers come to the park and thousands of day visitors come to enjoy the serenity of nature as well. Students visit the place for their day excursions and families for relaxation.

For amusement of kids, there is a children’s corner with a few rides, 4 pagodas, a few gazebos. Three fountains are other attractions to the visitors

### 3. Scope of Work: Design Competition

- 3.1. The Applicant is expected to develop a 3D model for the Project in hard and soft copy with appropriate dimensions and colour render drawing with detailed specifications of the material used. The approximate cost estimation should also be indicated. The design should represent the following:
  - 3.1.1. Culture and Tradition of West Bengal
  - 3.1.2. Wildlife of West Bengal
  - 3.1.3. Heritage of West Bengal

- 3.1.4. Vegetation of West Bengal
- 3.1.5. Biodiversity of West Bengal
- 3.1.6. Profile of the Banabitan Park
- 3.1.7. Environment friendly
- 3.1.8. Material that can be considered shall be RCC, Cement, clay, stone, metal, alloys or any other environment friendly material
- 3.1.9. Preparation of broad specification and estimates.

#### **4. Who can Apply**

4.1. Only those applicants who fulfill the following credentials should respond to this invitation:

- a) The bidder must be a practicing Architect, registered with Council of Architecture (COA), New Delhi/ Architectural Firms/ Artist of National or International repute (registered as a Company under the Companies Act 2013 or Companies Act, 1956, Proprietorship Firm/ Partnership Firm registered under the Indian Partnership Act, 1932, LLP registered under the Limited Liability Partnership Act, 2008 or a Society registered under the Societies Registration Act, 1860) having minimum Professional Experience of at least 3 (Three) years in the relevant field. No consortium/ Joint Venture allowed.
- b) The Firms should have a registered office within the country running for at least for the last three years.
- c) Minimum turnover of the Firm should be Rs. 10 (ten) lacs in each year for the last three Financial Years starting from 2019-20.
- d) The firm must have an experience of working as an Architectural Consultant/ Artist for at least 2 (two) Projects in last five years and have completed one project of similar nature.

## **5. Documents to be submitted by Applicant**

- 5.1. Trade License (in case of proprietorship firm/ partnership firm)
- 5.2. In case of Company – Certificate of incorporation.
- 5.3. In case of Partnership Firm, registered under the Partnership Act., 1932 – Please enclose details of partners along with certificate of registration, details of their business and partnership deed etc. duly attested by Notary
- 5.4. Society/ Trust: Registered deed
- 5.5. GST Certificate, if applicable
- 5.6. Documentary evidence with respect to the experience shown
- 5.7. Profile/ brochure of the Firm
- 5.8. Copy of National/ State Level award in sculpture received by the Applicant
- 5.9. Annexure I to III as per the format enclosed
- 5.10. Copy of the Presentation along with broad specifications and cost estimation

This EOI is non-binding in nature. A response to this EOI does not automatically ensure that you will be selected to participate in tender or be selected for procurement. The Authority shall not be responsible for the costs incurred by you in preparing and submitting your expression of interest

## **6. EOI submission**

**The Applicant can submit its Application by 3:00 PM (IST) 09.08.2021. The EOI application can be submitted in hard copy only on the address given below.**

The Divisional Manager,  
Kolkata Forest Corporation Division,  
'Aranya Bikash',  
KB-19, Sector-III, Salt Lake City,  
Kolkata-700106  
E-mail: [kfcd@wbfdc.com](mailto:kfcd@wbfdc.com)

## **7. Presentation on Concept Design and Selection**

- 7.1. From the list of applicants received by the Corporation, only those applicants, who fulfill the above Minimum eligibility criteria mentioned in Para 4, would be invited for a presentation. In their presentation, the Applicant will have to present Computer generated three dimensional views or model at a suitable scale with detailed specifications and tentative cost estimates.
- 7.2. A committee comprising of members from the Corporation shall select the best design.

7.3. The firm with the best design shall be selected and will be awarded the work in line with Government of West Bengal Notification FIN-21012/43/2019-GROUP1 SECTION D dated 19.08.2019.

7.4. The decision of the committee in this respect will be final and binding on the Application.

## **8. Clarifications**

8.1. A Pre-Bid meeting shall take place **on 22.07.2021 at 3 PM**. The meeting will be organized online and interested applicant shall request for VC link to the email address given at Clause 6

8.2. WBFDCCL shall endeavor to respond to the questions raised or clarifications sought by the Applicants. However, WBFDCCL reserves the right to not respond to any question or provide any clarification, in its sole discretion.

8.3. WBFDCCL may also on its own motion, if deemed necessary, issue interpretations and clarifications to all Applicants. All clarifications and interpretations issued by WBFDCCL shall be deemed to be part of the EOI.

**Sd/-**

**Divisional Manager  
Kolkata Forest Corporation Division**

**Annexure – I Format of Undertaking**  
(on Letter Head)

(The Applicant shall submit together with CHECK LIST & other documentary evidences)

**To,**  
**The Divisional Manager,**  
**Kolkata Forest Corporation Division,**  
**'Aranya Bikash',**  
**KB-19, Sector-III, Salt Lake City,**  
**Kolkata-700106**  
**E-mail: [kfcd@wbfdc.com](mailto:kfcd@wbfdc.com)**

**Dear Sir/ Madam,**

EOI Ref No:

**Subject: Design Competition from Artist/ Art Firm for Façade Design of Main Gate of Banabitan Park, Salt Lake, Kolkata**

Dear Sir/ Madam,

1. With reference to your EOI reference no \_\_\_\_\_ dated \_\_\_\_\_, M/s \_\_\_\_\_ hereby submit the EOI application for the subject project for \_\_\_\_\_
2. I/We certify that all information provided in the application is true and correct.
3. I/We understand that this EOI is non-binding in nature.
4. I/We acknowledge that the right of the Corporation to reject our application without assigning any reason or otherwise and hereby waive, to the fullest extent permitted by applicable law, our right to challenge the same on any account whatsoever.
5. I/We understand that the Corporation reserves the right to modify, cancel, suspend or terminate any aspect of the EOI process at any time, for any reason, without giving prior notice and the Corporation (including their officers, employees, consultants) will not be bound by this EOI.
6. I/ We understand that this EOI is non-binding in nature and the Corporation reserves the right to follow a competitive bidding process for selection of Vendor/s, subsequent to this EOI.

Yours faithfully,  
(Signature, name and designation of the Authorized signatory)

(Name and seal of the applicant)

**Annexure II – Applicant's Profile**

1. (a) Name:



- (b) Registration Details of the Applicant (**Enclose certification of Company /Trust deed/Society deed**):
  - (c) Country of incorporation:
  - (d) Address of the corporate headquarters and its branch office(s), if any, in India:
  - (e) Date of incorporation and/ or commencement of business:
  - (f) GST No
- 2 Brief description of the Applicant including details of its main lines of business:
- 3 Details of individual(s) who will serve as the point of contact/ communication for Wbfdcl:
- (a) Name:
  - (b) Designation:
  - (c) Company:
  - (d) Address:
  - (e) Telephone / Mobile Number(s):
  - (f) E-Mail Address:
4. Particulars of the Authorized Signatory of the Applicant:
- (a) Name:
  - (b) Designation:
  - (c) Address:
  - (d) Phone /Mobile Number:
  - (e) E-mail Address:

We hereby declare that the information submitted above is true to the best of our knowledge. We understand that in case any discrepancy is found in the information submitted by us our EOI is liable to be rejected.

Signature of the Authorized Signatory with date & seal

**Annexure III– Applicant’s Experience (Technical Capacity of the Applicant)**

Sl. No.	Status individual/ Proprietor/ Partnership/ Company formed under the Companies Act 1956/ 2013/ society/ trust registered under applicable law in India	Documentary Evidence (as per clause 5)	National/ Level received year	State Award with	Similar experience work
1*	2	3	4	5	

(\*Enclose necessary documentary proof )

The Applicant must submit a copy of award and completion certificate from client along with the necessary photographs, drawings in soft & hard formats (maximum A3 size) to demonstrate their competence and capability to handle this assignment. If required, the representative of Contracting Authority can visit the said project site

**Annexure IV– Applicant’s Turnover**

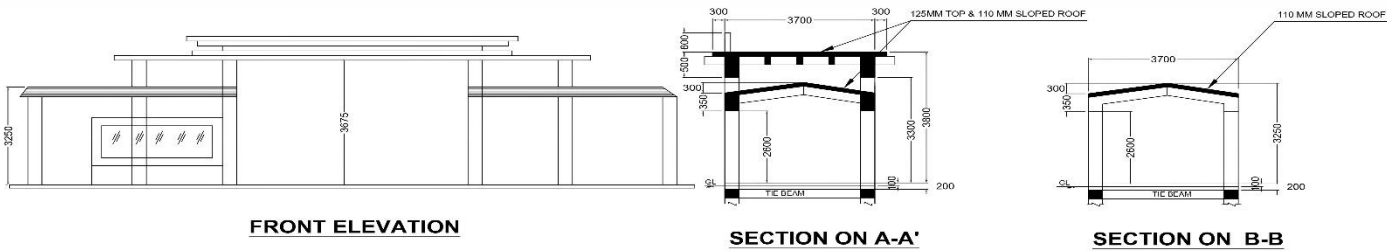
FY	Turnover (in Rs)
2019-20	
2018-19	
2017-18	

Bidder to provide copy of audited accounts and a certificate from its auditor/ CA confirming the Bidders turnover.

## Appendix 1



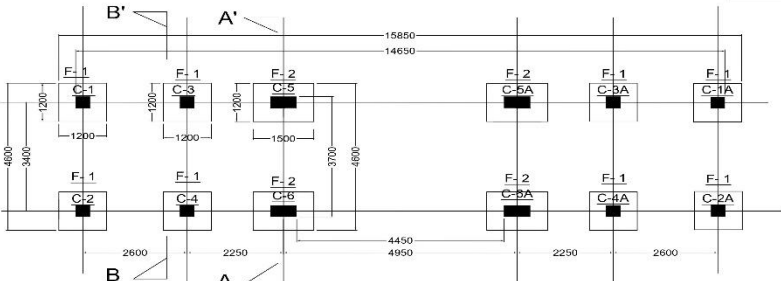
**Entry Gate of Banabitan Park**



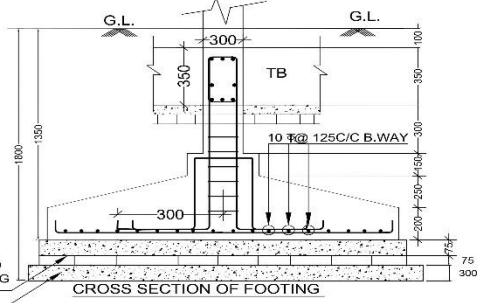
**FRONT ELEVATION**

**SECTION ON A-A'**

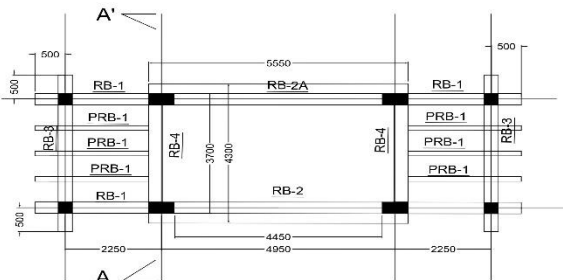
**SECTION ON B-B**



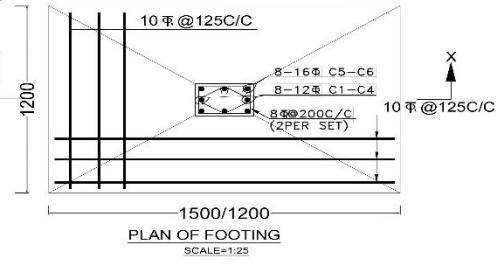
**Foundation Plan**



**CROSS SECTION OF FOOTING**



**ROOF LEVEL PLAN**



**PLAN OF FOOTING**  
SCALE=1:25

**NAME OF THE PROJECT :**  
**BANABITAN**  
**SALT LAKE ,SECTOR -III,**  
**KOLKATA ,GATE NO.-: 1 & 2**

- CONSTRUCTION SPECIFICATION :**
- 1) 250 thk. & 125 thk. wall will be of 1st. brick in sand & cement (6:1) & (4:1) respectively.
  - 2) R.C.C. work (1:1.5:3) cement , sand , stone chips , mortar with 1.2% reinforcement (lintel , sunshed , beam ) with water proofing compound .
  - 3) Cement plaster (6:1) & (3:1) sand , cement , mortar on inside & out side wall .
  - 4) Time terracing with lime conc. of ratio (2:2:1)
  - 5) All dimensions are in mm. in this drawing , unless otherwise mentioned written dimention should be follow.
  - 6) Any diviation from this drawing will be full responsibility of owner.

**JAGANNATH INDUSTRIES**  
**HOWRAH**

ALL DIMENSION ARE IN MM.  
 SCALE USED : 1:100, 1:25 ,1:10,

**LAYOUT OF THE SITE**